

5 year/5,000 hour Control Rod Inspection

Chapter 5-10-00

**Aviation Services Unlimited, Inc.
Hgr #6, Wiley Post Airport
Bethany, OK 73008
C.R.S. #X6UR264N**

SWO/Bey 1 3/26/08

Aileron Rods



0024 WESTWIND / MAINTENANCE
ISRAEL AIRCRAFT INDUSTRIES LTD / MANUAL

<u>SYSTEM AND COMPONENT</u>	<u>PART NUMBER</u>	<u>OVERHAUL OR REPLACE</u>	<u>REPLACE</u>
(g) Flexible Shaft Inboard Left	193545-501		10,000
(h) Flexible Shaft Inboard Right	193545-505		10,000
(i) Access Control System			
(a) Rod Assembly	513020-501	X-Ray Insp. (See Note)	
(b) Rod Assembly	513506-503, -503RD or -503RE	X-Ray Insp. (See Note)	
(c) Tube	513512-3	X-Ray Insp. (See Note)	

NOTE: (1) 10 years or 10,000 hours, whichever occurs first, and each 5 years or 5000 hours, whichever occurs first, thereafter - perform X-Ray inspection in accordance with Non-Destructive Testing Manual.

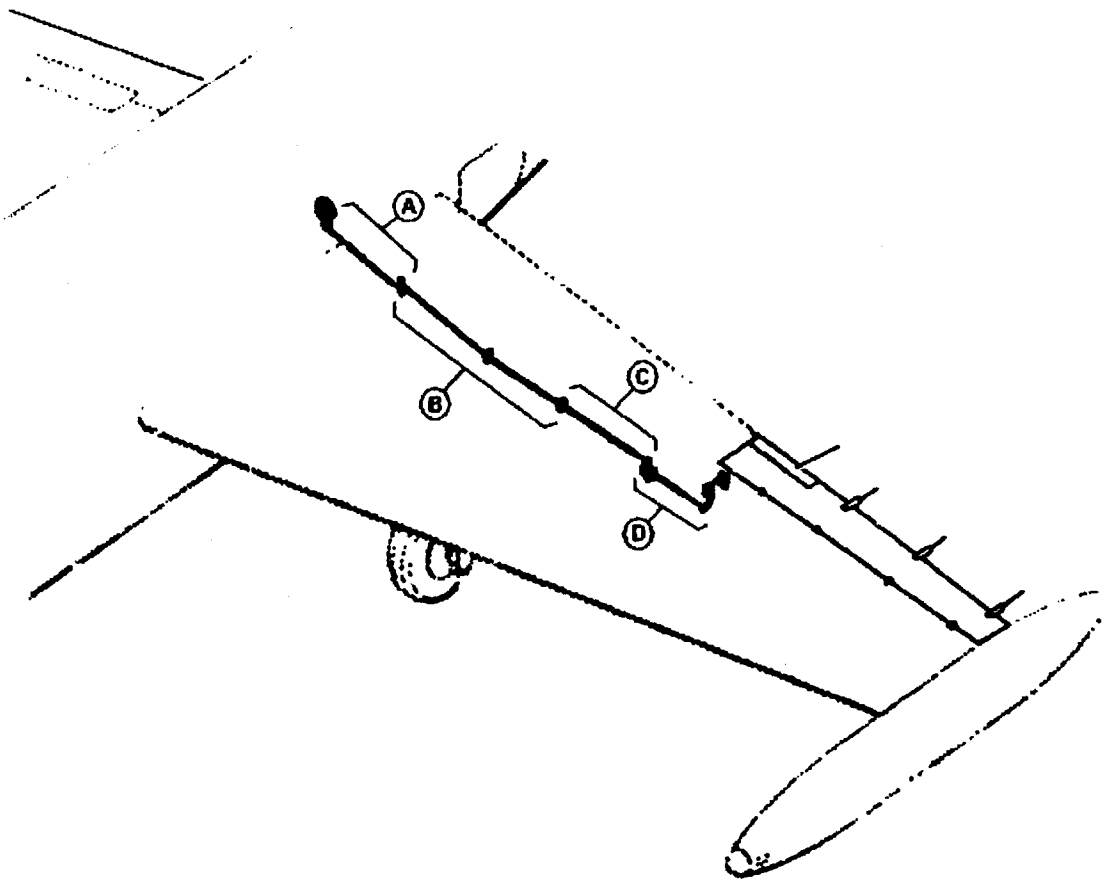
(2) For rod assemblies with greater than 9 years or greater than 9000 hours on March 1, 1996, inspection is due 1 year or 1000 hours, whichever occurs first, from March 1, 1996.

(3) When Rod Assembly 513506-503RE / -503RD are replaced by Tube Assembly 513506-505 (stainless steel), the X-Ray requirement has been eliminated.

EFFECTIVITY: ALL

5-10-00

Page 203
Jan 31/2006

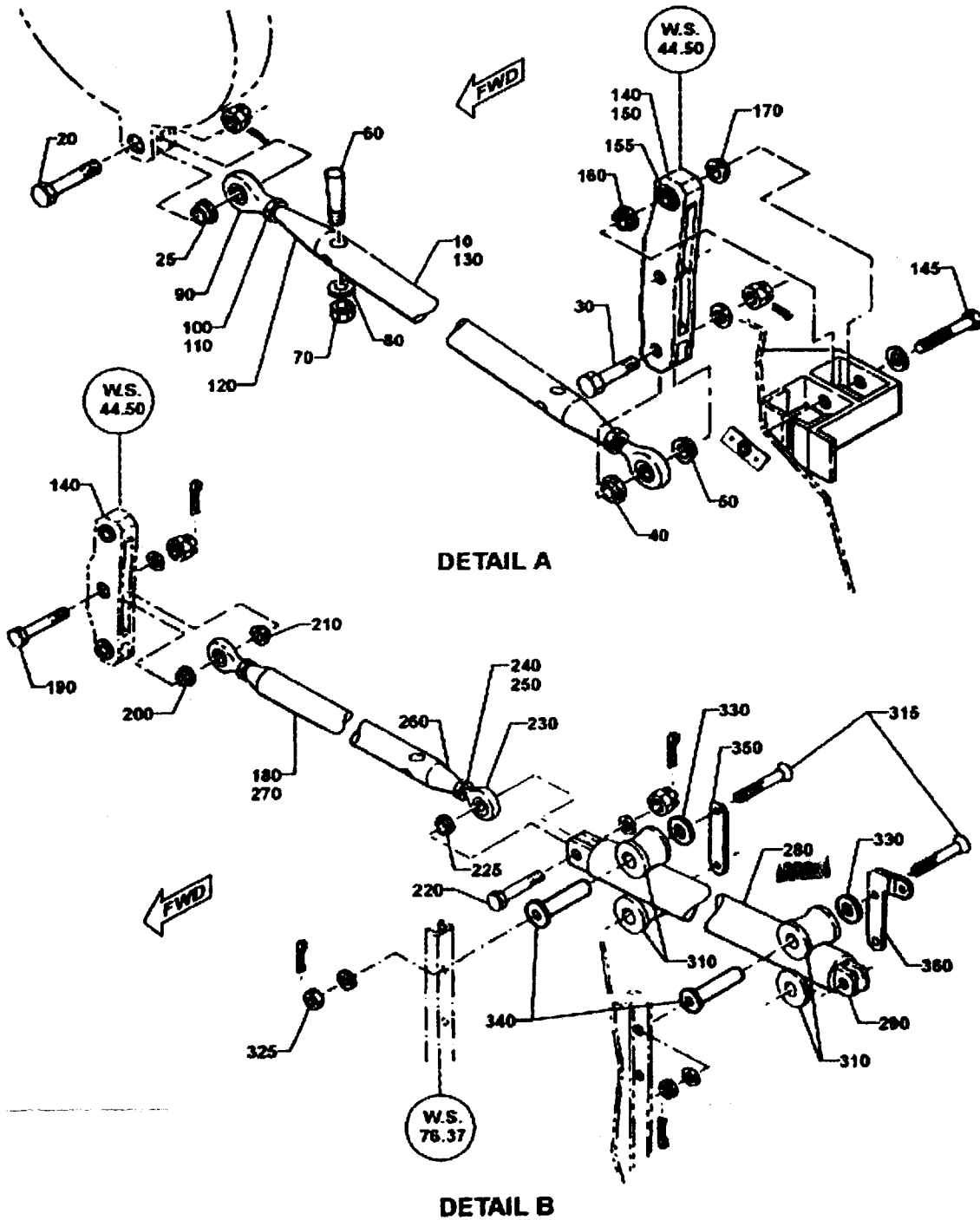


Aileron Control Installation - Wing
Figure 4
(Sheet 1)

EFFECTIVITY: ALL

27-10-00

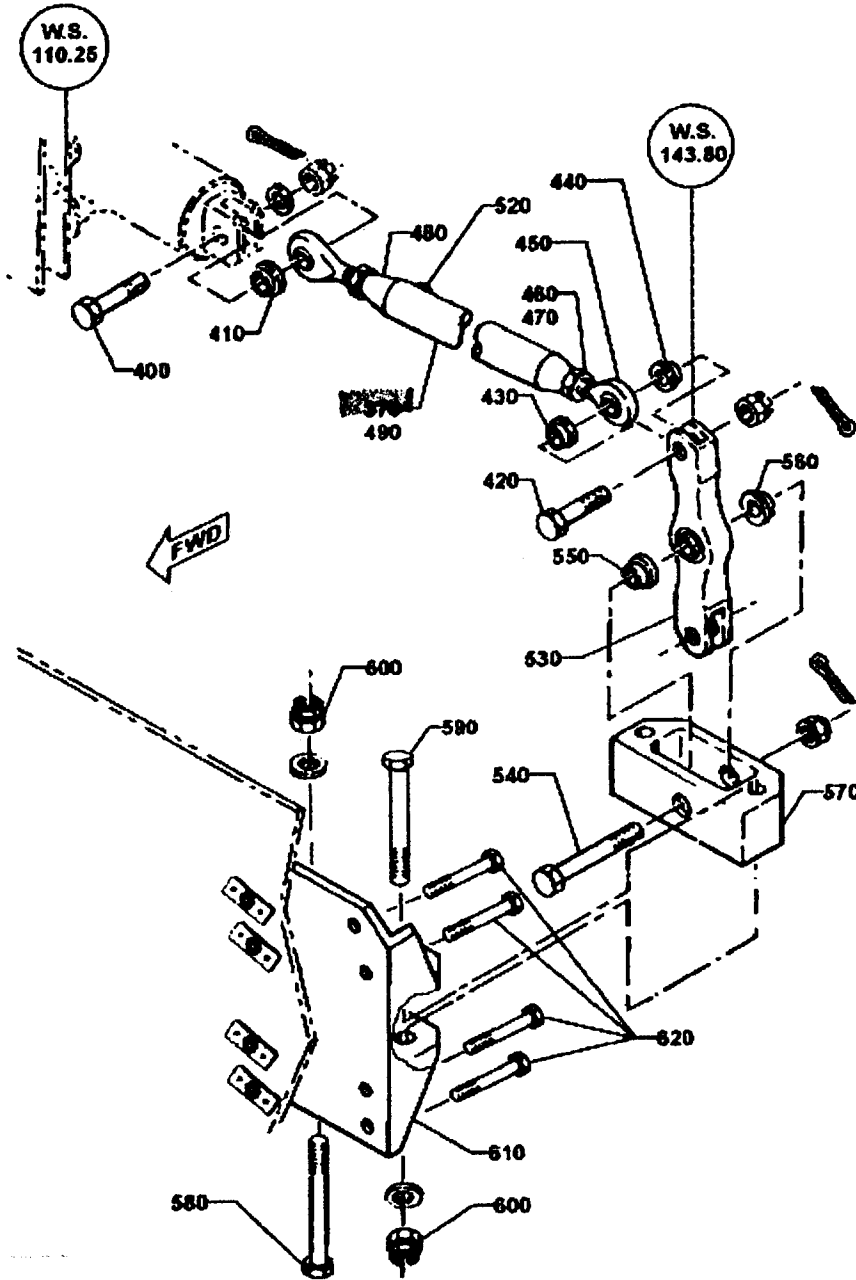
Fig. 4
Page 0
Jul 31/2005



Aileron Control Installation - Wing
 Figure 4
 (Sheet 2)

EFFECTIVITY: ALL

27-10-00

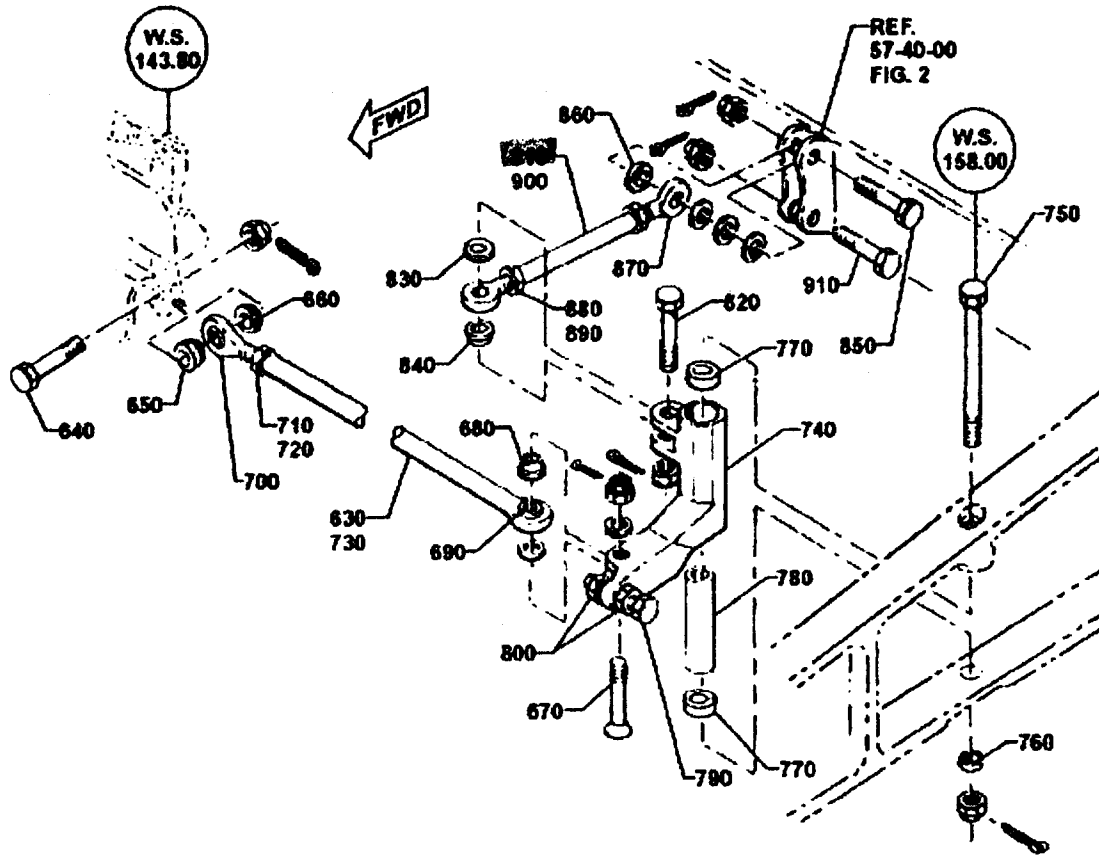


DETAIL C

Aileron Control Installation - Wing
 Figure 4
 (Sheet 3)

EFFECTIVITY: ALL

27-10-00



DETAIL D

Alleron Control Installation - Wing
 Figure 4
 (Sheet 4)

EFFECTIVITY: ALL

27-10-00

Fig. 4
 Page 3
 Jul 31/2005

FIGURE & ITEM NO.	PART NUMBER	NOMENCLATURE	AIRCRAFT EFFECTIVITY CODE	UNITS PER ASSY
		1234567		
4 -	AN960-416	.WASHER		1
	MA17826-4	.NUT		1
	MS24665-134	.COTTER PIN		1
225	NAS75-5-009	.BUSHING		1
		* * *		
230	ST4BW	. ROD END (V02909)		2
	60-1832	. ROD END (ALT) (VD3279)		2
	SM4-6M5	. ROD END (ALT) (V77896)		2
240	NAS509-6	. NUT		2
250	NAS559-2	. LOCK, ROD END		2
260	5003513-503	. FITTING		2
270	513505-3	. TUBE		1
280	513512-1	. ROD ASSY		1
290	513026-501	. FITTING		2
290 300	513512-3	. TUBE		1
310	513025-501	.GUIDE ROLLER		4
		ATTACHING PARTS		
315	513501-13	.SCREW (SUPERSEDED BY ITEM 320)		1
- 320	513501-15	.SCREW (SUPERSEDES ITEM 315)		1
325	513501-7	.WASHER		1
	MS17826-3	.NUT		1
	MS24665-71	.COTTER PIN		1
330	AN960-616L	.WASHER		1
340	513501-11	.BUSHING		1
350	513514-503	.STRAP		1

- ITEM NOT ILLUSTRATED

EFFECTIVITY: ALL

27-10-00

Fig. 4
Page 6
Jul 31/2005

FIGURE & ITEM NO.	PART NUMBER	NOMENCLATURE	AIRCRAFT EFFECTIVITY CODE	UNITS PER ASSY
		1234567		
4 - 380	513514-507	.STRAP, LH		1
	513514-508	.STRAP, RH		1

	513506-503	.ROD ASSY (SUPERSEDED BY ITEM 380)		1
	513506-503RD	.ROD ASSY (SUPERSEDES ITEM 370 & IS SUPERSEDED BY ITEM 390)		1
	513506-503RE	.ROD ASSY (SUPERSEDES ITEM 370 AND 380)		1
	513506-505	.ROD ASSY (SUPERSEDES ITEMS 370, 380 AND 390) (REF. SB 1123-27-057 FOR MODEL 1123) (REF. SB 1124-27-144 FOR MODEL 1124)		
		ATTACHING PARTS		
400	NAS464P4-16	.BOLT		1
	NAS6204-16D	.BOLT (ALT)		1
	AN960-416	.WASHER		1
	MS17826-4	.NUT		1
	MS24665-134	.COTTER PIN		1
410	NAS75-4-009	.BUSHING		1
420	NAS464P4-14	.BOLT		1
	NAS6204-14D	.BOLT (ALT)		1
	MS17826-4	.NUT		1
	MS24665-134	.COTTER PIN		1
430	NAS75-4-022	.BUSHING		1
440	NAS77-4-10	.BUSHING		1

450	ST4BW	.ROD END (V02909)		2

- ITEM NOT ILLUSTRATED

EFFECTIVITY: ALL

27-10-00

Fig. 4
Page 7
Jul 31/2005

FIGURE & ITEM NO.	PART NUMBER	NOMENCLATURE	AIRCRAFT EFFECTIVITY CODE	UNITS PER ASSY
		1234567		
4 - 700	ST4BW	. ROD END (V02909)		1
	60-1832	. ROD END (ALT) (VD3279)		1
	SM4-6M5	. ROD END (ALT) (V77896)		1
710	NAS509-6	. NUT		1
720	NAS559-2	. LOCK, ROD END		1
730	513510-3	. ROD		1
740	513511-1	. BELLCRANK, LH		1
	513511-2	. BELLCRANK, RH		1
		ATTACHING PARTS		
750	NAS464P5-68	. BOLT		1
	NAS6205-68D	. BOLT (ALT)		1
	MS17826-5	. NUT		1
	MS24665-134	. COTTER PIN		1
760	NAS75-5-009	. BUSHING		1
		* * *		
770	MA276441KP5A	. BEARING		2
	MS20201KP5A	. BEARING (ALT)		2
780	NAS75-5-302	. BUSHING		1
790	NAS428H4-13	. BOLT		1
800	NAS509-4	. NUT		2
810	513020-501	. ROD ASSY		1
		ATTACHING PARTS		
820	NAS464P5-17	. BOLT		1
	NAS6204-17D	. BOLT (ALT)		1
	MA17826-5	. NUT		1
	MS24665-134	. COTTER PIN		1

- ITEM NOT ILLUSTRATED

EFFECTIVITY: ALL

27-10-00

Fig. 4
Page 10
Jul 31/2005

Rudder Rods

<u>SYSTEM AND COMPONENT</u>	<u>PART NUMBER</u>	<u>OVERHAUL OR REPLACE</u>	<u>REPLACE</u>
-----------------------------	--------------------	------------------------------------	----------------

(3) Rudder Control System

(a) Rod Assembly (Brake Pedal)	3900009-23-13.18	X-Ray Insp. (See Note)	
(b) Rod Assembly (Brake Pedal Interconnect)	3900009-23-8.38	X-Ray Insp. (See Note)	
(c) Shaft (Rudder Pedal Support)	533114-501	X-Ray Insp. (See Note)	

NOTE: (1) 10 years or 10,000 hours, whichever occurs first, and each 5 years or 5000 hours, whichever occurs first, thereafter - perform X-Ray inspection in accordance with Non-Destructive Testing Manual.

(2) For rod assemblies with greater than 9 years or greater than 9000 hours on March 1, 1996, inspection is due 1 year or 1000 hours, whichever occurs first, from March 1, 1996.

(4) Elevator Control System

Tube (Elevator Bellcrank Assembly)	533012-13	Visual Inspection (See Note)	
---------------------------------------	-----------	---------------------------------	--

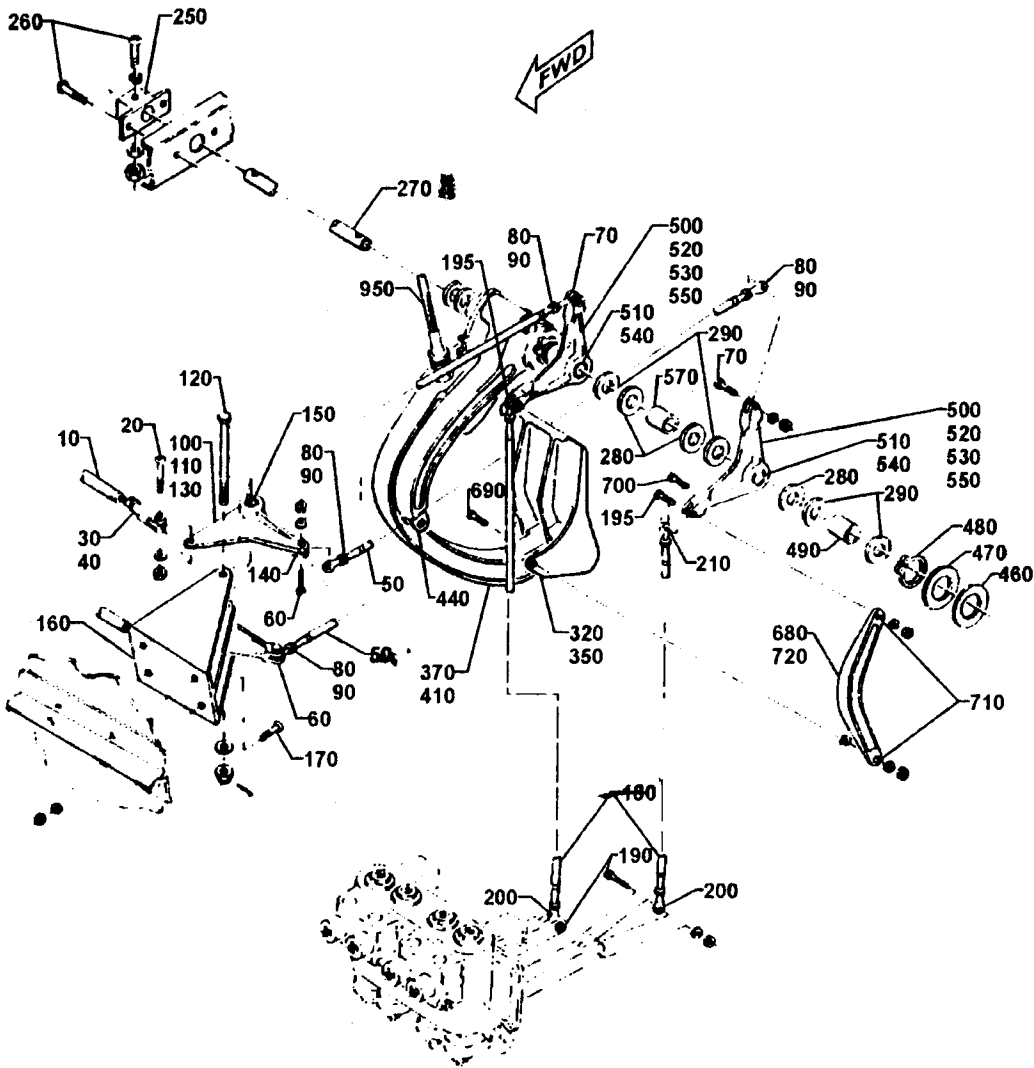
NOTE: (1) 10 years or 10,000 hours, whichever occurs first, and each 5 years or 5000 hours, whichever occurs first, thereafter - perform visual inspection in accordance with Non-Destructive Testing Manual.

(2) For rod assemblies with greater than 9 years or greater than 9000 hours on March 1, 1996, inspection is due 1 year or 1000 hours, whichever occurs first, from March 1, 1996.

EFFECTIVITY: ALL

5-10-00

Page 204
Jan 31/2006



DETAIL A
S/N's 187 thru 287

Rudder Control Installation – Cockpit
Figure 2
(Sheet 2)

EFFECTIVITY: ALL

27-20-00

Fig. 2
 Page 1
 Aug 30/2003



AN24-A-WESTWIND / ILLUSTRATED

ISRAEL AIRCRAFT INDUSTRIES LTD / PARTS CATALOG

FIGURE & ITEM NO.	PART NUMBER	NOMENCLATURE	AIRCRAFT EFFECTIVITY CODE	UNITS PER ASSY
		1234567		
2- 1	533083	PEDAL INSTL, RUDDER AND BRAKE (RUDDER CONTROL INSTL, COCKPIT) (REF. 27-20-00 FOR NHA)		RF
10	3900009-25-25.38	.ROD ASSY		2
		ATTACHING PARTS		
20	AN24-13	.BOLT	AM	2
	533083-39	.BOLT	AN	2
	AN960-416L	.WASHER		2
	MS17826-4	.NUT		2
	MS24665-134	.COTTER PIN		2
		* * *		
30	MS27975-1	.CLEVIS END		2
40	AN316-4R	.NUT		2
50	3900009-23-8.38	.ROD ASSY		4
		ATTACHING PARTS		
60	MS27039-4-19	.SCREW		1
	AN960-416L	.WASHER		2
	MS21042L4	.NUT		1
70	MS27039-4-21	.SCREW		1
	AN960-416L	.WASHER		1
	MS21042L4	.NUT		1
		* * *		
80	BRE4075	.ROD END (V81376)		2
	FJG60-1640	.ROD END (ALT) (VD3279)		2
	F44-14MT	.ROD END (ALT) (V73134)		2
	FXJ44-14B	.ROD END (ALT) (V73134) (WITH "M" STAMPED ON SHANK)		2

- ITEM NOT ILLUSTRATED

EFFECTIVITY: ALL

27-20-00

Fig. 2
Page 8
Aug 30/2003

FIGURE & ITEM NO.	PART NUMBER	NOMENCLATURE	AIRCRAFT EFFECTIVITY CODE	UNITS PER ASSY
		1234567		
	REF4-8	.ROD END (ALT)		2
		ATTACHING PARTS		
90	AN316-4R	.NUT		2

100	543002-1	.BELLCRANK ASSY	Y	4
	543002-1	.BELLCRANK ASSY	Z	2
110	543002-501	.BELLCRANK ASSY	Z	2
		ATTACHING PARTS		
120	AN24-50	.BOLT		2
	AN960D-416	.WASHER		2
	MS17826-4	.NUT		2
	MS24665-134	.COTTER PIN		1

130	543002-5	.BELLCRANK (USE WITH 543002-1)		1
	543002-9	.BELLCRANK (USE WITH 543002-501)		1
140	S0302-25A	.BEARING		1
150	S0302-28A	.BEARING		1
160	543001-503	.BRACKET		2
		ATTACHING PARTS		
170	AN509-416R13	.SCREW		4
	AN960-416L	.WASHER		4
170	MS21042L4	.NUT		4

	3900009-23-13.18	.ROD ASSY		2
190	MS27039-1-17	.SCREW		1

- ITEM NOT ILLUSTRATED

EFFECTIVITY: ALL

27-20-00

Fig. 2
Page 9
Aug 30/2003



24 WESTWIND / ILLUSTRATED

 ISRAEL AIRCRAFT INDUSTRIES LTD / PARTS CATALOG

FIGURE & ITEM NO.	PART NUMBER	NOMENCLATURE	AIRCRAFT EFFECTIVITY CODE	UNITS PER ASSY
		1234567		
	MS27039-4-34	..SCREW		1
	AN960-416D	..WASHER		3
	MS21042L4	..NUT		3
		* * *		
250	533120-501	..SUPPORT		1
		ATTACHING PARTS		
260	MS27039-4-11	..SCREW		2
	MS27039-4-24	..SCREW		2
	AN960-416D	..WASHER		3
	MS21042L4	..NUT		3
		* * *		
1220	533114-501	..SHAFT		1
280	AN960-1216L	..WASHER		8
290	1900099-016-75-1 .30	..WASHER		8
300	NAS43DD12-276	..SPACER		1
310	533002-503	..PEDAL ASSY, LH		1
320	533002-504	..PEDAL ASSY, RH		1
		ATTACHING PARTS		
330	AN4-26A	..BOLT		1
	AN960-416L	..WASHER		1
	MS21042L4	..NUT		1
		* * *		
340	533002-7	...BEARING		2
350	533002-11	...PEDAL, LH		1
	533002-12	...PEDAL, RH		1
360	NAS77-4-33	..BUSHING		4

- ITEM NOT ILLUSTRATED

EFFECTIVITY: ALL

27-20-00

Fig. 2
Page 11
Aug 30/2003

Nose Door Rods



0024
0024A-WESTWIND / MAINTENANCE
 ISRAEL AIRCRAFT INDUSTRIES LTD / **MANUAL**

<u>SYSTEM AND COMPONENT</u>	<u>PART NUMBER</u>	<u>OVERHAUL OR REPLACE</u>	<u>REPLACE</u>
-----------------------------	--------------------	------------------------------------	----------------

NOTE: (1) Time count for inspection or testing shall commence from the date the bottle was placed in service.

(2) Visual inspection of gas storage cylinder shall include both internal and external visual inspection.

(2) Bolts, Main Wheel Halves (Wheel Assembly P/N 5002806-1)	GY186-36		400 Landings or third tire change
(3) Rod Assembly (2 ea.) (NLG doors)	3900009-23-12.88	X-Ray Insp. (See Note)	
(4) Rod Assembly (2 ea.) (NLG doors)	3900009-23-12.43	X-Ray Insp. (See Note)	
(5) Shaft Assembly (2 ea.) (NLG doors)	283023-501	X-Ray Insp. (See Note)	

NOTE: (1) 10 years or 10,000 hours, whichever occurs first, and each 5 years or 5,000 hours, whichever occurs first, thereafter - perform X-Ray inspection in accordance with Non-Destructive Testing Manual.

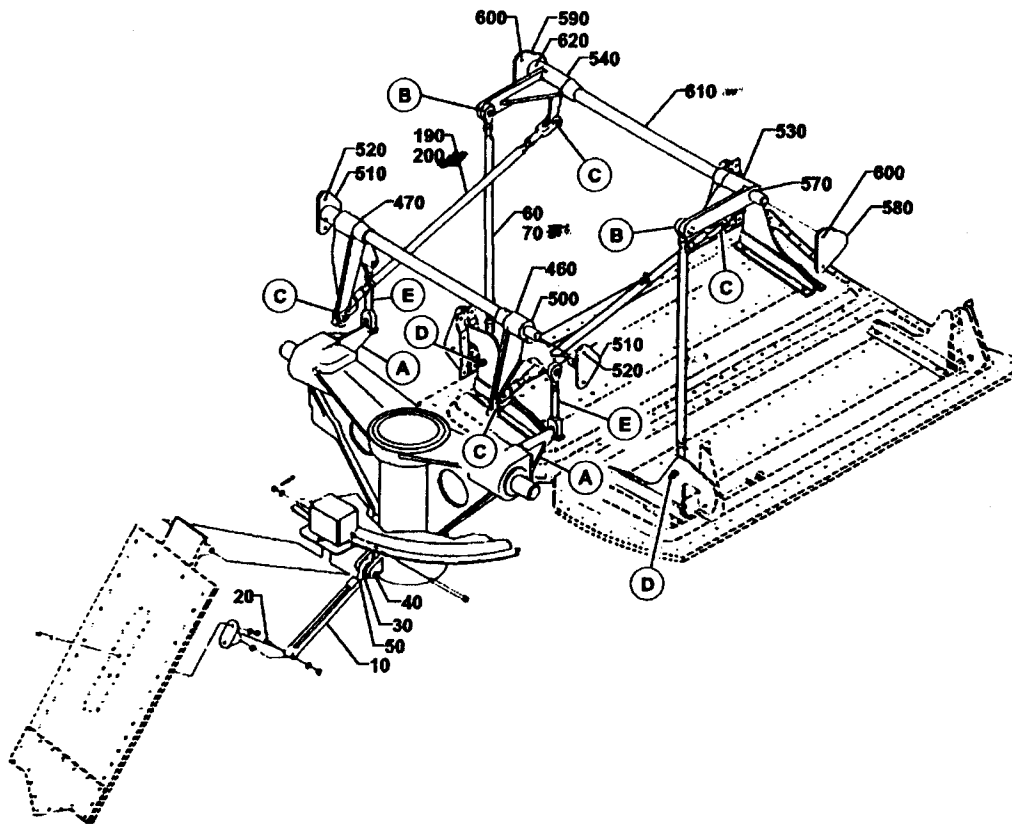
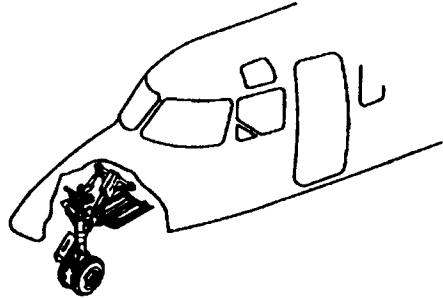
(2) For rod assemblies with greater than 9 years or greater than 9,000 hours on March 1, 1996, inspection is due 1 year or 1,000 hours, whichever occurs first, from March 1, 1996.

(6) Steering Bracket Assembly, Upper	ES12970-7 or 2236.0200.000	800 - Inspect. Ref. 32-50-08, Inspection / Check	3,200
(7) Steering Bracket Assembly, Lower	ES12970-6 or 2236.0300.000	800 - Inspect. Ref. 32-50-08, Inspection / Check	3,200
(8) Steering Bracket Assembly, Upper	A01 ES 12970-7 or 2236.0200.000 (See following Note)	1600 hr - Inspect. Ref. 32-50-08, Inspection / Check	

EFFECTIVITY: ALL

5-10-00

Page 206
Jan 31/2006



Nose Gear Door Mechanism Installation
 Figure 5
 (Sheet 1)

EFFECTIVITY: ALL

32-20-00

Fig. 5
 Page 0
 Aug 30/2003

FIGURE & ITEM NO.	PART NUMBER	NOMENCLATURE	AIRCRAFT EFFECTIVITY CODE	UNITS PER ASSY
		1234567		
5- 1	283002	DOOR MECHANISM INSTL, NLG (REF. 32-20-00 FOR NHA)		RF
10	283016-501	.LINK		1
		ATTACHING PARTS		
20	AN4-10A	.BOLT		1
	AN960-416L	.WASHER		1
	MS20365-428	.NUT		1
		* * *		
30	BRE4100L	.ROD END (V81376)		1
	BACB10A278L	.ROD END (ALT)		1
	FMS3E4	.ROD END (ALT) (VT0128)		1
		ATTACHING PARTS		
40	AN4-11A	.BOLT		1
41	AN960-416L	.WASHER		1
42	MS20365-428	.NUT		1
43		* * *		
50	AN316-5R	.NUT		1
60	283002-401	.CONTROL ROD ASSY		2
70 70	3900009-23-12.88	.. ROD ASSY		1
80	BRE4075	..ROD END (V81376)		2
	F44-14MT	..ROD END (ALT) (V73134)		2
	FJG60-1640	..ROD END (ALT) (VD3279)		2
	FXJ44-14B	..ROD END (ALT) (V73134) (WITH 'M' ON SHANK)		2
		ATTACHING PARTS		
90	MS20470AD3	..RIVET (LENGTH TBD AT ASSY)		2
100	AN316-4R	..NUT		2

- ITEM NOT ILLUSTRATED

EFFECTIVITY: ALL

FIGURE & ITEM NO.	PART NUMBER	NOMENCLATURE	AIRCRAFT EFFECTIVITY CODE	UNITS PER ASSY
		1234567		
110	AN4-12A	..BOLT (SUPERSEDED BY ITEM 120)		1
- 120	NAS6204-14	..BOLT (SUPERSEDES ITEM 110)		1
130	AN960-416	..WASHER		2
140	AN960-416L	..WASHER		1
150	MS20365-428	..NUT		1
160	AN24-14	.. BOLT		1
170	AN960-416	..WASHER		1
180	MS20364-428	..NUT		1
		* * *		
190	283002-403	.CONTROL ROD ASSY		2
200 200	3900009-23-12.43	.. ROD ASSY		1
210	MS27975-3	.. ROD END		2
		ATTACHING PARTS		
220	MS20470AD3	..RIVET (LENGTH TBD AT ASSY)		2
230	AN316-4R	..NUT		2
240	AN23-14	.. BOLT		2
250	AN960-10	..WASHER		4
260	AN310-3	..NUT		2
270	AN380-2-3	..COTTER PIN		2
		* * *		
280	283013-501	.BELLCRANK, NOSE DOOR, LH		1
290	283013-502	.BELLCRANK, NOSE DOOR, RH		1
		ATTACHING PARTS		
300	AN4H6	.BOLT		2


- ITEM NOT ILLUSTRATED

EFFECTIVITY: ALL

32-20-00

Fig. 5
Page 3
Aug 30/2003


0024
0024A - WESTWIND / ILLUSTRATED
ISRAEL AIRCRAFT INDUSTRIES LTD / PARTS CATALOG

FIGURE & ITEM NO.	PART NUMBER	NOMENCLATURE	AIRCRAFT EFFECTIVITY CODE	UNITS PER ASSY
		1234567		
 610	283023-501	.SHAFT ASSY		2
620	MS1 6562-38	.PIN		4

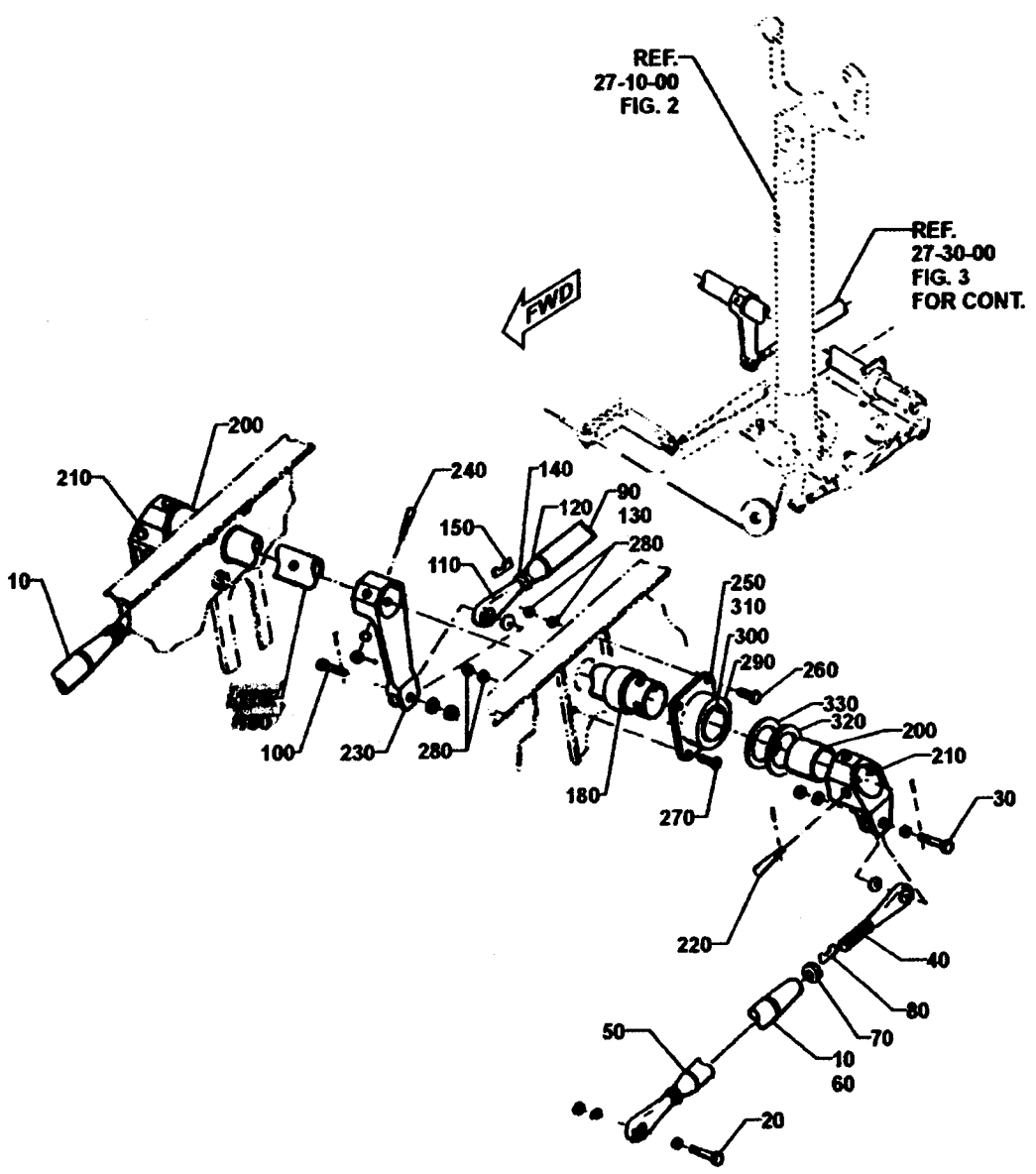
- ITEM NOT ILLUSTRATED

EFFECTIVITY: ALL

32-20-00

Fig. 5
Page 6
Aug 30/2003

Elevator Control



Elevator Control Installation – Cockpit
 Figure 2

EFFECTIVITY: ALL



024 WESTWIND / ILLUSTRATED PARTS CATALOG
 ISRAEL AIRCRAFT INDUSTRIES LTD

FIGURE & ITEM NO.	PART NUMBER	NOMENCLATURE	AIRCRAFT EFFECTIVITY CODE	UNITS PER ASSY
		1234567		
80	NAS559-2	. LOCK, ROD END * * *		2
90	503509-501	. TUBE ASSY ATTACHING PARTS		2
100	NAS464P4-14	. BOLT		2
	NAS6204-14D	. BOLT (ALT)		2
	AN960PD416L	. WASHER (1 BETWEEN ROD END & ARM, & 1 UNDER NUT)		4
	MS17826-4	. NUT		2
	NS24865-134	. COTTER PIN		2
	NAS75-4-008	. BUSHING * * *		2
110	ST4BW	. . ROD END	(V02909)	2
	SM4-6M5	. . ROD END (ALT)	(V02909)	2
	60-1832	. . ROD END		2
120	503516-501	. . FITTING		2
130	503509-5	. . TUBE		1
140	NAS509-6	. . NUT		2
150	NAS559-2	. . LOCK, ROD END * * *		2
-160	533012	. TORQUE TUBE INSTL		RF
	533012-13RE	. . TUBE ASSY		1
180	1R2416	. . BEARING	(V60380)	2
190	533012-13	. . TUBE		1
200	533012-15	. . SLEEVE		2
210	533014-501	. . ARM		2

- ITEM NOT ILLUSTRATED

EFFECTIVITY: ALL

27-30-00

Fig. 2
Page 2
Aug 30/2003